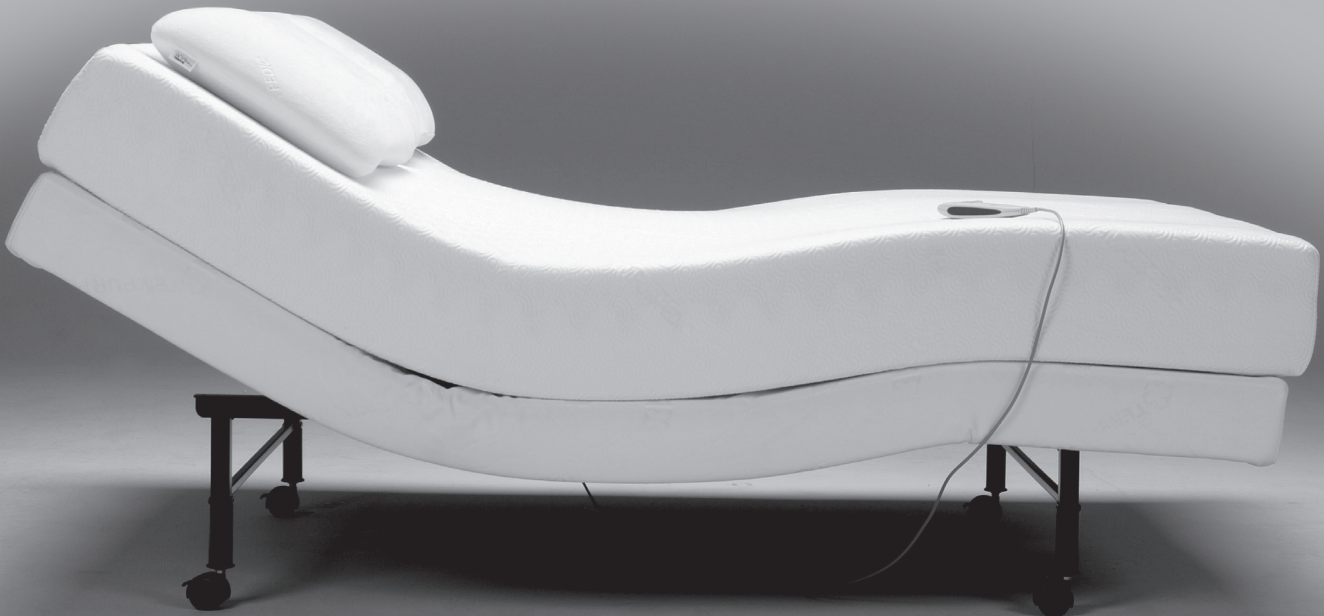




TEMPUR® ERGO System™

COMPLETE REFERENCE GUIDE





20-YEAR LIMITED WARRANTY

TEMPUR-PEDIC NORTH AMERICA, INC. ("TEMPUR-PEDIC") GUARANTEES THAT WE WILL, AT TEMPUR-PEDIC'S OPTION, REPLACE OR REPAIR PURCHASER'S TEMPUR® ERGO SYSTEM™ IF IT IS DEFECTIVE DUE TO FAULTY WORKMANSHIP OR MATERIALS, SUBJECT TO THE LIMITATIONS DESCRIBED IN THIS WARRANTY.

YEAR 1 - FULL COVERAGE OF PARTS AND LABOR

Your TEMPUR® Ergo System™ is warranted against defects in the workmanship or materials for a period of one (1) year from the warranty commencement date. Electronics, electrical components, drive motors and massage motors are included. Upon notice during the first year from the warranty commencement date, Tempur-Pedic will send replacement parts (at no cost to the purchaser) for any defective part to the purchaser, and Tempur-Pedic will pay all authorized labor and transportation costs associated with the repair or replacement of any parts Tempur-Pedic determines to be defective. This one (1) year warranty shall not apply if purchaser does not return any and all defective parts to Tempur-Pedic within 15 days of purchaser's receipt of replacement part.

YEARS 2 AND 3 – FULL COVERAGE OF PARTS ONLY

Upon notice during the years two and three (2 - 3) from the warranty commencement date, Tempur-Pedic will offer replacement parts for any defective part to the purchaser. Electronics, electrical components, drive motors and massage motors are included. This two (2) year warranty shall not apply if purchaser does not return any and all defective parts to Tempur-Pedic within 15 days of purchaser's receipt of replacement part. Purchaser shall bear all service, transportation, labor, and shipping costs related to the delivery and/or replacement of the defective part.

YEARS 4 THROUGH 20 – PRORATED COVERAGE OF PARTS ONLY

Upon notice during the fourth through the twentieth (4 – 20) years from the warranty commencement date, Tempur-Pedic will offer replacement parts (upon terms and conditions set forth in this paragraph) for any mechanical bed part found to be defective. Electronics, electrical components, drive motors and massage motors are excluded. Purchaser shall pay 1/17th of the then current replacement cost of the defective part multiplied by the number of years after three (3) years from the warranty commencement date, and Tempur-Pedic shall bear the remainder of the cost of the replacement part. This seventeen (17) year warranty shall not apply if purchaser does not return any and all defective parts to Tempur-Pedic within 15 days of purchaser's receipt of replacement part. Purchaser shall bear all service, transportation, labor, and shipping costs related to the delivery and/or replacement of the defective part. After the 20th year, purchaser shall bear the entire cost of repair and replacement of all parts and materials, including labor and transportation.

ADDITIONAL TERMS AND CONDITIONS

This warranty does not apply; (a) to any damage caused by the purchaser; (b) if there has been any unauthorized repair or replacement of the unit's parts; (c) if the unit has been mishandled (whether in transit or by other means), subjected to physical or electrical abuse or misuse, or otherwise operated in any way inconsistent with the operation and maintenance procedures outlined in the Complete Reference Guide, this warranty, and any other applicable document published or approved by Tempur-Pedic; (d) to damage to mattresses, fabric, cables, electrical cords or items supplied by Resellers. Contact the Reseller or relevant party for warranty information on these items.; (e) if there has been any unnecessary service calls, including costs for in-home service calls solely for the purpose of educating the consumer about the unit for finding an unsatisfactory power connection; (g) if the recommended weight restrictions are not followed (Twin Long, Split/Dual CA King – 300 lbs., Queen – 425 lbs.), the warranty will be void.

Repairs to or replacement of the TEMPUR Ergo System or its components under the terms of this limited warranty will apply to the original warranty period and will not serve to extend such period.

The decision to repair or to replace defective parts under this warranty shall be made, or case to be made, by Tempur-Pedic at its option and in its sole discretion.

REPAIR OR REPLACEMENT SHALL BE THE SOLE REMEDY OF THE PURCHASER. THERE SHALL BE NO LIABILITY ON THE PART OF TEMPUR-PEDIC FOR ANY SPECIAL, INDIRECT, INCIDENTAL, OR CONSEQUENTIAL DAMAGES OR FOR ANY OTHER DAMAGE, CLAIM, OR LOSS NOT EXPRESSLY COVERED BY THE TERMS OF THIS WARRANTY. THIS LIMITED WARRANTY DOES NOT INCLUDE REIMBURSEMENT FOR INCONVENIENCE, REMOVAL, INSTALLATION, SETUP TIME, LOSS OF USE, SHIPPING, OR ANY OTHER COSTS OR EXPENSES. TEMPUR-PEDIC MAKES NO OTHER WARRANTY WHATSOEVER, EXPRESS OR IMPLIED, AND ALL IMPLIED WARRANTIES OF MERCHANTABILITY AND FITNESS FOR A PARTICULAR PURPOSE ARE DISCLAIMED BY TEMPUR-PEDIC AND EXCLUDED FROM THIS AGREEMENT.

Some states do not allow the exclusion or limitation of incidental or consequential damages, so the above limitation or exclusion may not apply to every purchaser. This warranty gives the purchaser specific legal rights, and the purchaser may also have other rights, which may vary from state to state. This warranty is valid in all 50 states, Puerto Rico, and Canada. This warranty is valid only for the original purchaser of the product. An original purchaser is one who purchases the product directly from Tempur-Pedic North America, Inc. or an authorized Reseller of Tempur-Pedic North America, Inc. If you are not the original purchaser of this product, you take it "as is" and "with all faults." If you did not purchase this TEMPUR Ergo System directly from Tempur-Pedic North America, Inc., we will require proof of purchase from you demonstrating that you are the original purchaser and eligible to make a valid claim under this warranty. This warranty begins on the "warranty commencement date" which is the date of purchase for new unused units, and the date of manufacture for units that have been used as floor or display models. Thus, on a floor model unit, the warranty is a portion of the limited 20-year warranty. If original proof of purchase is not provided by purchaser, Tempur-Pedic reserves the right to determine if the unit is not covered by this warranty or to use the manufacturing date as the warranty commencement date. This limited warranty gives you specific legal rights. You may also have other rights that vary from state to state.

If you experience any trouble with your TEMPUR Ergo System during the warranty period, please consult the troubleshooting section of your Reference Guide. If problems persist after following these instructions, please call: 1-800-979-1457

PLEASE RETAIN THIS WARRANTY AND YOUR ORIGINAL PROOF OF PURCHASE FOR AT LEAST 20 YEARS FROM THE DATE OF PURCHASE.



TEMPUR® ERGO System™

Table of Contents

SAFETY PRECAUTIONS	4
COMMONLY ASKED QUESTIONS AND ANSWERS	8
SPECIFICATIONS.....	9
INSTALLATION	10
OPERATION	
WIRED REMOTE CONTROL FEATURES	18
TROUBLESHOOTING.....	19

SERIAL NUMBER:



Customer Service: 1-800-979-1457

SAFETY PRECAUTIONS

WARNING!

IMPORTANT SAFETY INSTRUCTIONS.

PLEASE READ THESE INSTRUCTIONS THOROUGHLY BEFORE USING THIS PRODUCT.

SAVE THESE INSTRUCTIONS!

Your TEMPUR® Ergo System™ has been designed to provide you with the reliable operation and durability you expect. This product has been inspected and tested prior to shipment.

When using an electrical furnishing, basic precautions should always be followed, including the following:

READ ALL INSTRUCTIONS BEFORE USING YOUR TEMPUR® ERGO SYSTEM™

DANGER:

To reduce the risk of electric shock

- Always unplug this furnishing from the electrical outlet before cleaning.

WARNING:

To reduce the risk of burns, fire, electric shock, or injury to persons:

- Unplug from outlet before putting on or taking off parts.
- Close supervision is necessary when this furnishing is used by, or near children, invalids, or disabled persons.
- Use this furnishing only for its intended use as described in these instructions. Do not use attachments not recommended by the manufacturer.
- Never operate this furnishing if it has a damaged cord or plug, if it is not working properly, if it has been dropped or damaged, or dropped into the water. Return the furnishing to a service center for examination and repair.

- Keep the cord away from heated surfaces.
- Never operate the furnishing with the air openings blocked. Keep the air openings free of lint, hair and the like.
- Never drop or insert any object into any opening.
- Do not use outdoors.
- Do not operate where aerosol (spray) products are being used or where oxygen is being administered.
- To disconnect, turn all controls to the off position, then remove plug from outlet.

WARNING:

Risk of Injury — Keep children away from extended foot support (or other similar parts).

WARNING!

Risk of electric shock — Connect this furnishing to a properly grounded outlet only. See Grounding instructions.

GROUNDING INSTRUCTIONS

This product must be grounded. If it should malfunction or breakdown, grounding provides a path of least resistance for electric current to reduce the risk of electric shock. This product is equipped with a cord having an equipment-grounding conductor and a grounding plug. The plug must be plugged into an appropriate outlet that is properly installed and grounded in accordance with all local codes and ordinances.

DANGER

Improper connection of the equipment-grounding conductor can result in a risk of electric shock. Check with a qualified electrician or serviceman if you are in doubt as to whether the product is properly grounded. Do not modify the plug provided with the product — if it will not fit the outlet, have a proper outlet installed by a qualified electrician.

SAVE THESE INSTRUCTIONS!

Customer Service: 1-800-979-1457

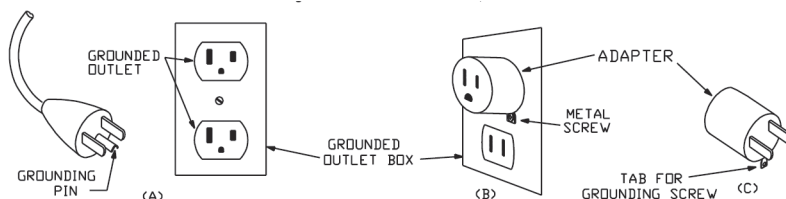
Safety Precautions

GROUNDING SAFETY

This product is for use on a nominal 120-volt circuit, and has a grounding plug that looks like the plug illustrated in sketch A (see Figure). A temporary adapter that looks like the adapter illustrated in sketches B and C is able to be used to connect this plug to a 2-pole receptacle as shown in sketch B if a properly grounded outlet is not available. The temporary adapter should be used only until a properly grounded outlet (sketch A) can be installed by a qualified electrician.

This product is for use on a circuit having a nominal rating more than 120 volts and is factory equipped with a specific electric cord and plug to permit connection to a proper electric circuit. Make sure that the product is connected to an outlet having the same configuration as the plug. No adapter should be used with this product. If the product must be reconnected for use on a different type of electric circuit, the reconnection should be made by qualified service personnel.

Unauthorized modifications could void the electrical portion of your warranty. Failure to use a properly grounded outlet for this product or modification of the plug will compromise this important grounding safety feature and may result in electrical shock, electrical fire, or faulty operation of the product.



FOR BEST RESULTS, YOUR ERGO SYSTEM SHOULD BE PLUGGED INTO A SURGE PROTECTOR (not included).

WARRANTY PRECAUTION!

Do not open control box, motors or wired remote control. The warranty is **void** if these units are tampered with. Any repair or replacement of Ergo System parts must be performed by an authorized person.

IN-HOME USE AND HOSPITAL DISCLAIMER

Your Ergo System is strictly designed for **in-home use only**. It is NOT designed for hospital use and is NOT designed to meet hospital standards. **DO NOT USE** this bed with TENT TYPE oxygen therapy equipment or near explosive gases.

WARNING:

DO NOT USE NEAR PEOPLE USING OR WEARING MEDICAL DEVICES. FOR HOUSEHOLD / RESIDENTIAL USE ONLY. DO NOT USE OUTDOORS.

This product conforms to UL STD 962

IMPORTANT SAFETY FEATURES

Use this furnishing only for its intended use as described in these instructions. Do not use attachments not recommended by the manufacturer.

If there is an overload weight condition on the head or foot mechanism, the control unit will automatically stop all functions. Once the excess weight is removed, the control system will automatically allow all functions to resume operation.

For your safety, the Ergo System is equipped with special locking casters. In order to prevent the movement of this product, all four casters should be in the locked position. This can be accomplished by pushing down the locking latch on the caster. To resume mobility of the product, lift the locking latch up. You are strongly encouraged to place rubber caster cups or carpet squares under the casters in addition to locking them in place if the product is positioned on a hard surface floor such as hardwood, tile or linoleum. Although the casters are locked and will not roll, they may slide.

CONSUMERS WITH PACEMAKERS

As with any product that produces a vibrating motion, it is possible that some pacemakers may interpret this motion as a false sense of movement and/or exercise. This may or may not affect your pacemaker. If you have any concerns, please consult your physician.

USER-SERVICEABLE PARTS

This product is specifically designed to have no maintenance by you, the user. Therefore, you are encouraged not to open any motors, alter the wiring, or adjust, modify or change the structure of the product, as it will void the warranty.

POWER RATINGS:**MODEL NO: T120-24-2****INPUT: AC 120V - 60Hz****OUTPUT: DC 24V****RATED CURRENT : 3A****CONTROL ACTUATOR : 2**

The input transformer voltage is AC120V (1 Amp) 60HZ, and the output voltage is DC24V (3Amp). When there is a short-circuit, the customer should seek assistance by contacting customer service at 1-800-979-1457.

SMALL CHILDREN AND PETS WARNING

After your Ergo System has been unboxed, immediately dispose of packaging as it can smother small children and pets. To avoid injury, children and pets should not be allowed to play on or under the bed. Children should not operate this product without adult supervision. **Close supervision is necessary when this furnishing is used by, or near children, invalids, or disabled persons.**

SAVE THESE INSTRUCTIONS!

Your Ergo System has been designed to provide you with the reliable operation and durability you expect. This product has been inspected and tested prior to shipment.

Safety Precautions

PRODUCT RATINGS

The lift motors in your Ergo System are **NOT** designed for continuous use. Reliable operation and full life expectancy will be attained as long as the lift motors do not operate more than two (2) minutes over a eighteen (18) minute period, or approximately 10% duty cycle. Any attempt to circumvent or exceed this rating will shorten the life expectancy of this product and may void the warranty. The recommended weight restrictions on our Ergo Systems are as follows: Twin Long, Split/Dual CA King – 300 lbs., Queen – 425 lbs. This Ergo System will structurally support the recommended weight distributed evenly across the head and foot sections. Maximum weight per person is 250 pounds. This product is not designed to support or lift this amount of weight in the head or foot sections alone.

NOTE: Exceeding the recommended weight restrictions could damage your Ergo System and void your warranty.

For best performance, you should enter and exit the Ergo System while it is in the flat or fully lowered position.

INTENDED USAGE

The electric adjustable bed should be installed with the head board bracket and/or the head of the frame should be positioned close to a wall.

Commonly asked Questions and Answers

WHAT IS THE HEIGHT OF THE ERGO SYSTEM BASE?

With standard legs and casters installed, the overall height is approximately 15" from the floor to the bottom of the mattress. The distance between the floor and the bottom edge of the base, with standard legs and casters installed, is approximately 9".

IS IT POSSIBLE TO RAISE THE HEIGHT OF THE ERGO SYSTEM BASE?

Yes, you can add up to 4" to the overall height of the Ergo System by ordering the riser leg set. These include replacement legs with casters, and come with either an overall height of approximately 8" or 10". Please note that the riser leg set replaces the standard leg set that comes with the Ergo System. They are not used together.

DOES THE ERGO SYSTEM BASE COME WITH HEADBOARD AND FOOTBOARD ATTACHMENTS?

The Ergo System does not come with headboard or footboard brackets. Headboard brackets are available as optional accessories. A footboard cannot be attached directly to the Ergo System Base. However, you can use a "freestanding" bed including headboard, footboard and side rails by placing the complete Ergo System within the assembled bed. It may be easiest to assemble the bed around the Ergo System. You should measure the inside dimensions of the assembled bed to be sure the Ergo System will fit. One of our riser leg sets may be required in some cases.

WILL THE ERGO SYSTEM FIT INSIDE EXISTING FURNITURE?

The Ergo System is designed to fit into most "freestanding" beds. We always recommend you measure the inside dimensions of the assembled bed to be sure the Ergo System will fit. One of our riser leg sets may be required in some cases.

WHERE IS THE SERIAL NUMBER ON THE ERGO SYSTEM?

The serial number can be found on the law tag attached to the cover and on the frame right below the foot end of the base. It may be easier to see by lifting the foot section slightly if possible. The serial number is also located on the Complete Reference Guide (owner's manual) shipped with the base.

WHO DO I CALL FOR SERVICE OR SUPPORT IF NEEDED?

Service and technical support is available by calling our dedicated customer service group at 1-800-979-1457. An owner's manual is included with each base including other information for making claims.

WHAT IS THE LIFT CAPACITY OF THE ERGO SYSTEM?

Please see the chart below for Tempur-Pedic's recommended and approved "total people weight" limits per the available mattress and Ergo Base combinations.

Product	Total People Weight	
	Single Base	Dual Bases
OriginalBed	≤ 500 lbs.	500 lbs. - 1000 lbs.
AdvantageBed	≤ 500 lbs.	500 lbs. - 1000 lbs.
TEMPUR-Cloud	≤ 500 lbs.	500 lbs. - 1000 lbs.
ClassicBed	≤ 500 lbs.	500 lbs. - 1000 lbs.
TEMPUR-Cloud Supreme	≤ 500 lbs.	500 lbs. - 1000 lbs.
DeluxeBed	≤ 500 lbs.	500 lbs. - 1000 lbs.
BellaFina Bed	≤ 500 lbs.	500 lbs. - 1000 lbs.
RhapsodyBed	≤ 500 lbs.	500 lbs. - 1000 lbs.
TEMPUR-Cloud Luxe	Not Available	Not Available
CelebrityBed	Not Available	Not Available
AlluraBed	Not Available	Not Available
BellaSonna Bed	Not Available	Not Available
GrandBed	Not Available	Not Available

IS AN EXTENDED WARRANTY AVAILABLE?

No.

IS THE WARRANTY ON A FLOOR MODEL TRANSFERABLE TO ONE OF OUR CUSTOMERS?

Floor models should only be sold in sets to include both the mattress and foundation. If you choose to sell a floor model to a customer, the date of manufacture is the warranty start date.

WHAT ARE THE ELECTRICAL REQUIREMENTS OF THE ERGO SYSTEM BASE?

During normal operation, the base will typically draw 1.0 Amp of electricity from a normal AC wall outlet. It is highly recommended that the customer use a power surge protector (not included with the base).

DOES THE UNIT HAVE AC OR DC MOTORS?

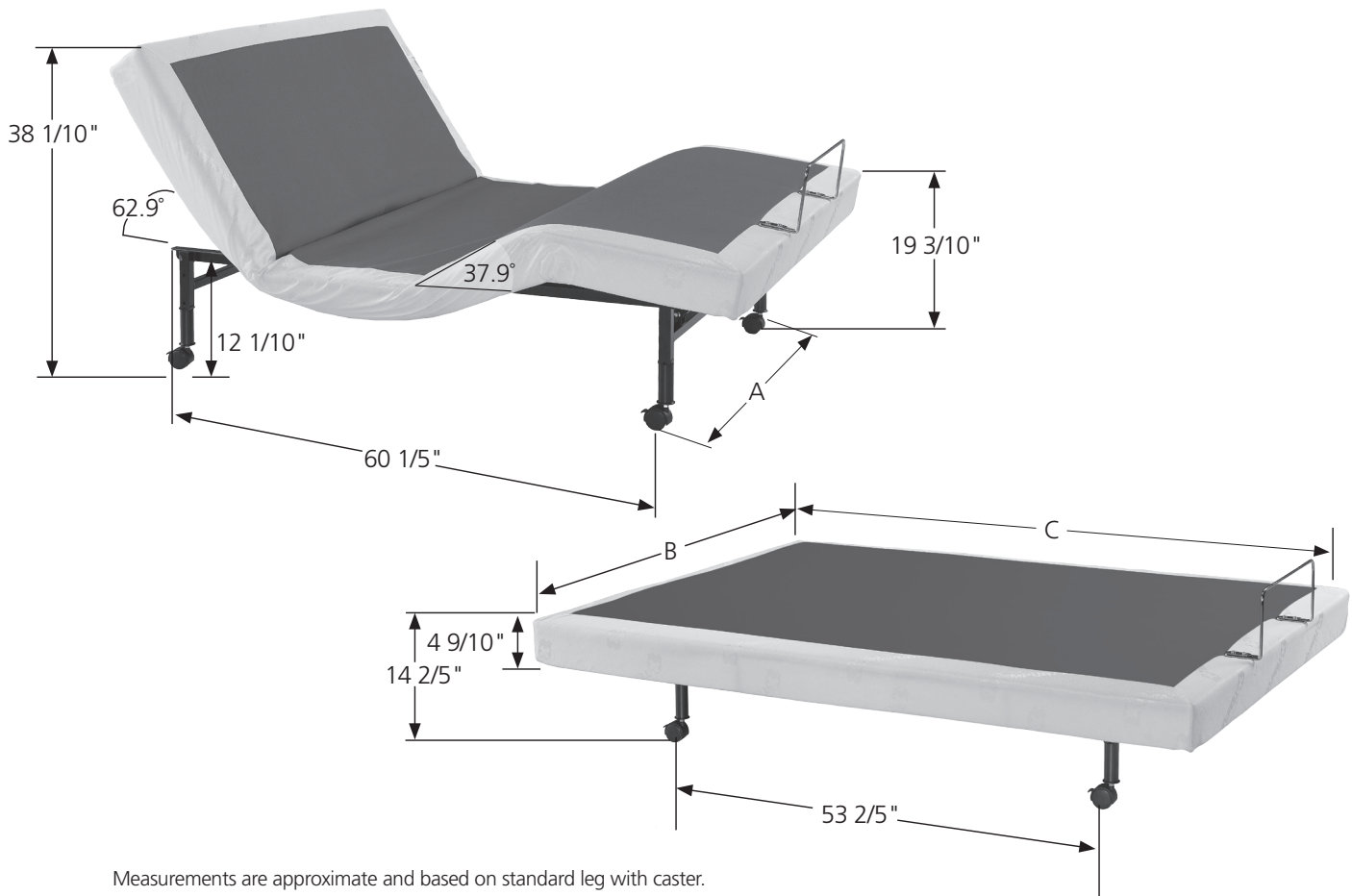
The lift motors used on the Ergo System base are DC motors. The base's power supply converts the AC power from the wall outlet to DC power.

CAN THE TEMPUR® ERGO SYSTEM™ BE USED WITH ALL ERGO COMPATIBLE MATTRESSES?

No, due to their increased weight and thickness, the TEMPUR® *Advanced* Ergo System™ is recommended for use with the TEMPUR-Cloud™ Luxe, The CelebrityBed by Tempur-Pedic® and The AlluraBed by Tempur-Pedic®. The BellaSonna Bed by Tempur-Pedic™ and The GrandBed by Tempur-Pedic® are NOT Ergo compatible.

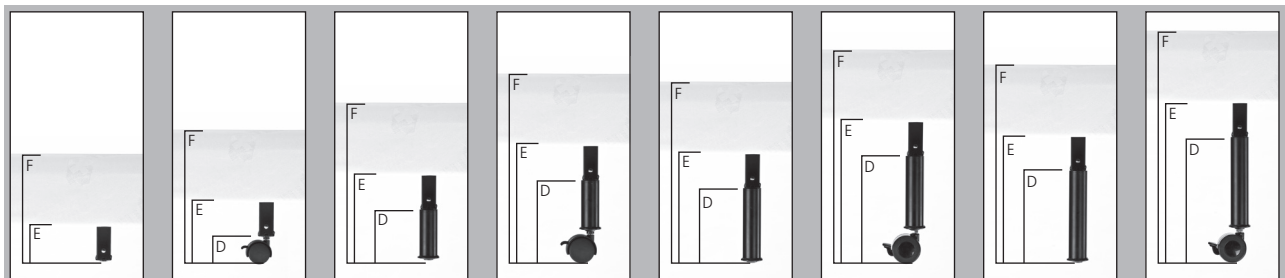
Specifications

Bed Type	A. Frame width	B. Base Width	C. Base Length	Weight
Twin Long	30"	37 1/2"	79"	128 lbs.
Queen	40"	58 1/2"	79"	167 lbs.
Split CA King	30"	35 3/4"	83"	115 lbs.



Measurements are approximate and based on standard leg with caster.

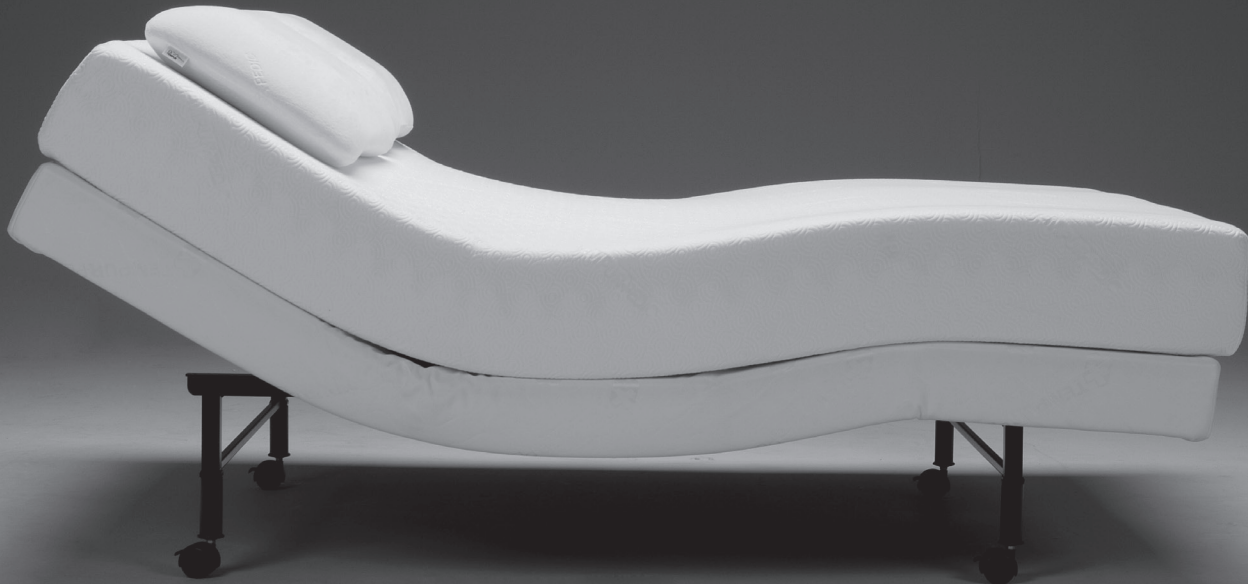
No Leg (rest on frame)	Caster Only	Standard Leg (without caster)	Standard Leg (with caster)	8" Riser Leg (without caster)	8" Riser Leg (with caster)	10" Riser Leg (without caster)	10" Riser Leg (with caster)
---------------------------	-------------	----------------------------------	-------------------------------	----------------------------------	-------------------------------	-----------------------------------	--------------------------------



D) To Frame	0"	2 3/5"	4 1/10"	6 3/5"	6.0"	8 7/10"	7 3/5"	10 1/5"
E) To Base	2 7/10"	5 3/10"	6 9/10"	9 1/2"	8 9/10"	11 1/2"	10 2/5"	13.0"
F) To Mattress	7 7/10"	10 1/5"	11 9/10"	14 2/5"	13 4/5"	16 2/5"	15 3/10"	17 9/10"

Customer Service: 1-800-979-1457

Installation Instructions



Before discarding any packing materials, check your TEMPUR® Ergo System™ carton and verify the following items in the parts list are included:

PARTS LIST

- A. Wired Remote Control – hardwired to bed (1)*
- B. Mattress Retainer Bar (1)*
- C. Bed Leg with Caster (4)
- D. Retainer Bar Bolt (4)*
- E. Retainer Bar Plate (2)*
- F. Allen Wrench (1)
- G. Y-Cable (For use with King and CA King)*
- H. 9-Volt Batteries (2)



*Attached to base for shipping

Customer Service: 1-800-979-1457

STEP 1

Carefully lift your Ergo System out of the shipping carton, keeping the unit top side down. For safety reasons, this should be performed by 2 people.



STEP 2

Attach Ergo System Legs:
Open the accessories box, take out the 4 legs, and thread them in a clockwise direction into the pre-threaded holes in the frame.



NOTE: Hand tighten the legs securely to the frame. Do NOT over tighten. Make sure the legs are screwed completely into the frame. Legs that are not securely attached may become unsafe. DO NOT unscrew a leg to compensate for an uneven floor.

NOTE: Your Ergo System is equipped with special locking casters. In order to prevent the movement of this product, all four casters should be in the locked position. You are strongly encouraged to place rubber caster cups or carpet squares (not provided) under the casters in addition to locking them in place. Although the casters lock and will not roll, they may slide.



STEP 3

Remove and extend the power cord and wired remote from the frame.

WARNING! POWER CORDS AND WIRED CORDS MUST NOT INTERFERE WITH ANY ERGO SYSTEM MECHANISMS.

STEP 4

Install 9-volt batteries in the control box.

STEP 5

Carefully flip the Ergo System over to the "topside up" position and remove the plastic packaging from the product.



NOTE: DO NOT lean the bed against the installed legs to flip it over.

⚠ ATTENTION ! Improper handling

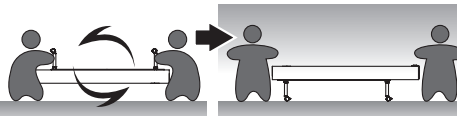
DO NOT

lean the bed against the installed legs to flip it over.



⚠ Proper handling

Turn bed over without leaning against the installed legs.



STEP 6

Plug the power cord into a grounded electrical outlet.

NOTE: An electrical surge protection unit is recommended (not included).

STEP 7

This hand unit is a wired unit, and does not require batteries.

Briefly activate all functions on the wired remote control to verify that all of the features are operational. If the bed does NOT operate, please refer to the TROUBLESHOOTING section of this manual.

STEP 8

Return your Ergo System to the flat position by pressing and holding the Flat button until the Ergo System base returns to the flat position.



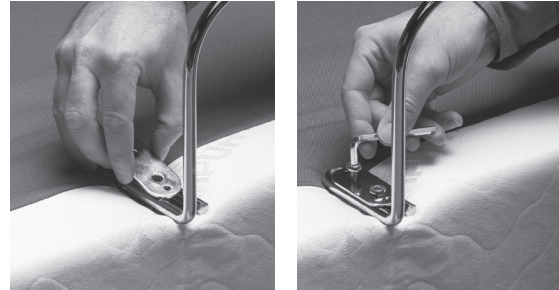
STEP 9

Detach the Mattress Retainer Bar (B): For shipping purposes the Mattress Retainer Bar comes installed upside down. Using the Allen Wrench (F) loosen the Retainer Bar Bolts (D) and remove the Retainer Bar Plates (E) and Mattress Retainer Bar. Keep all parts for final installation.



STEP 10

Install the Mattress Retainer Bar (B): Using the Retainer Bar Bolts (D), Retainer Bar Plates (E) and the Allen Wrench (F), fasten the Mattress Retainer Bar upright to the foot of the Ergo System frame.



NOTE: Use ONLY a manual Allen Wrench to install the Retainer Bar Bolts. DO NOT use a power tool to tighten the bolts. DO NOT over tighten the mattress retainer hardware!

NOTE: If the Ergo System is to be set up without a headboard, simply place your Tempur-Pedic mattress onto the frame. Installation is now complete. If a headboard is to be installed, proceed to the next page.

NOTE: If the Ergo System is to be used with a complete headboard, footboard and side rail combination, assemble the furniture around the Ergo System base. DO NOT attach the furniture to the Ergo System base. DO NOT use slats.

HEADBOARD INSTALLATION

NOTE: This step is only needed if installing a headboard with optional brackets available separately.

NOTE: Failure to follow the proper headboard bracket installation instructions may result in damage to your Ergo System.

WARNING: The bottom of the headboard cross member must be positioned so that there is no more than 3 inches between the bottom of the headboard and the top of the mattress. Failure to follow this instruction could result in serious injury or death to a person or pet caught between the mattress and the headboard.

OPTIONAL PARTS LIST

- A. Leg Clamp Bracket (2)
- B. Inner Headboard Bracket (2)
- C. Outer Headboard Bracket (2)
- D. 40L Bracket Bolt (6)
- E. 45L Bracket Bolt (4)
- F. 5/16 Inch Washer (12)
- G. 5/16 Inch Locking Nut (10)
- H. Wrench (1)
- I. Allen Wrench (1)

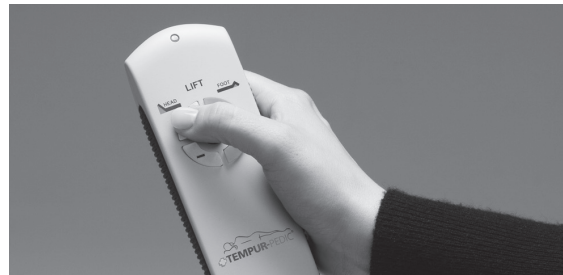


STEP 1

Assemble the Headboard Bracket:

STEP 1A

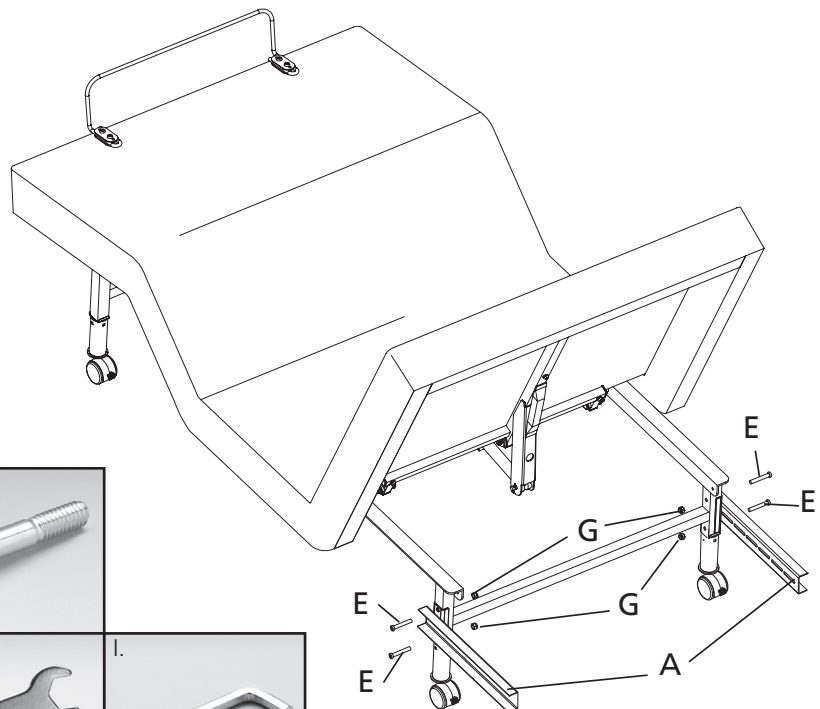
Use the remote to raise the head of the bed in order to gain access to the Ergo System frame.



STEP 1B

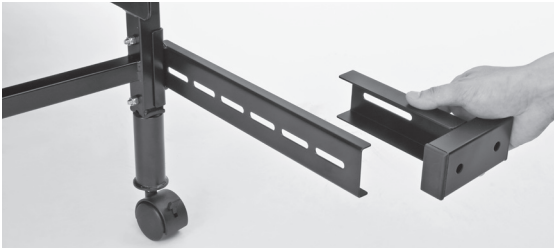
Bolt the Leg Clamp Bracket (A) to the leg using the 45L Bracket Bolts (E), and the 5/16" Locking Nuts (G).

Repeat for the other side of the frame.



STEP 1C

Place the open side of the the Inner Headboard Bracket (B) into the open side of the Leg Clamp Bracket (A).



Place Bracket Bolts (D) with a 5/16 inch washer (F) through the Leg Clamp Bracket (A) and into the Inner Headboard Bracket (B). Use 5/16 inch washers (F) and 5/16 inch nuts (G) and hand tighten to allow for adjustment.



Repeat for the other side of the frame.

STEP 1D

Place the open side of the Outer Headboard Bracket (C) onto the exposed square tube of the Inner Headboard Bracket (B). This will create a tight fit between (B) and (C).



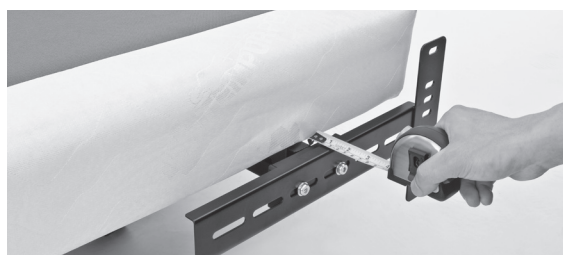
Place Bracket Bolts (D) with a 5/16 inch washer (F) through the Outer Headboard Bracket (C) and into the Inner Headboard Bracket (B). Use 5/16 inch washers (F) and 5/16 inch nuts (G) and hand tighten to allow for adjustment.



Repeat on the other side.

STEP 1E

Ensure the Headboard Bracket is assembled with a distance of 1.5 (38.1 mm) to 2 inches (50.8 mm) between the edge of the Ergo Base and the headboard bracket assemblies.



STEP 2

Attach your headboard to the Headboard Brackets following the steps below:

STEP 2A

Measure the center-to-center distance of the mounting holes in your headboard.

STEP 2B

Measure the center-to-center distance of the mounting holes in the Headboard Bracket Assemblies.

STEP 2C

If the Headboard Brackets require adjustment, loosen the bolts that are holding the Outer Headboard Brackets and move them so that the mounting holes on the Outer Headboard Bracket align with the mounting holes on your headboard. Reinstall the bolts on the Outer Headboard Bracket and firmly tighten using the Wrench (H) and Allen Wrench (I).

STEP 2D

Place your headboard bolts through the mounting holes on both the Outer Headboard Bracket and your headboard. Firmly tighten.

STEP 3

Place your Tempur-Pedic mattress on top of your Ergo System Base.



WARNING: Verify the space between the headboard cross member and the top of the mattress is no more than 3 inches.

Your TEMPUR® Ergo System™ installation is now complete. Refer to the Remote Control Guide on pg. 18.

Pairing Instructions For Joining Two Bases

FOR 2 BASES TO OPERATE WITH 1 CONTROL

Assembling Split Dual Ergo Bases (Base A and Base B) to be used together as a single King or CA King system.

NOTE: the use of "Base A" and "Base B" is for description purposes only and the beds will not actually be labeled "Base A" or "Base B"

STEP 1

Cut the straps on the boxes of Base A and Base B.

STEP 2

Carefully remove the box covers on Base A and Base B.

STEP 3

Before the bases are removed from their boxes, cut the plastic strapping on each wired remote control and remove the control from the base frame.

STEP 4

Carefully unplug the control from Base A and Base B.

STEP 5

Remove the hardwired remote controls and set aside. Place the spare remote control in a safe place for any future use.

STEP 6

Remove and extend one of the provided Y-cables from the base frame.

STEP 7

Plug in the "A" output of the Y-Cable into Base A control port.

STEP 8

Plug in the "B" output of the Y-Cable into Base B control port.

STEP 9

Plug one of the provided hardwired remote controls into the "Control Input" side of the Y-Cable.

STEP 10

Route the control cable to your preferred side of the bed.

Emergency Power Down Cycle Instructions

In the event that your TEMPUR® ERGO System™ Base loses power, there is an Emergency Power Down function.

NOTE: This function is only if there is no power at the Control Box.

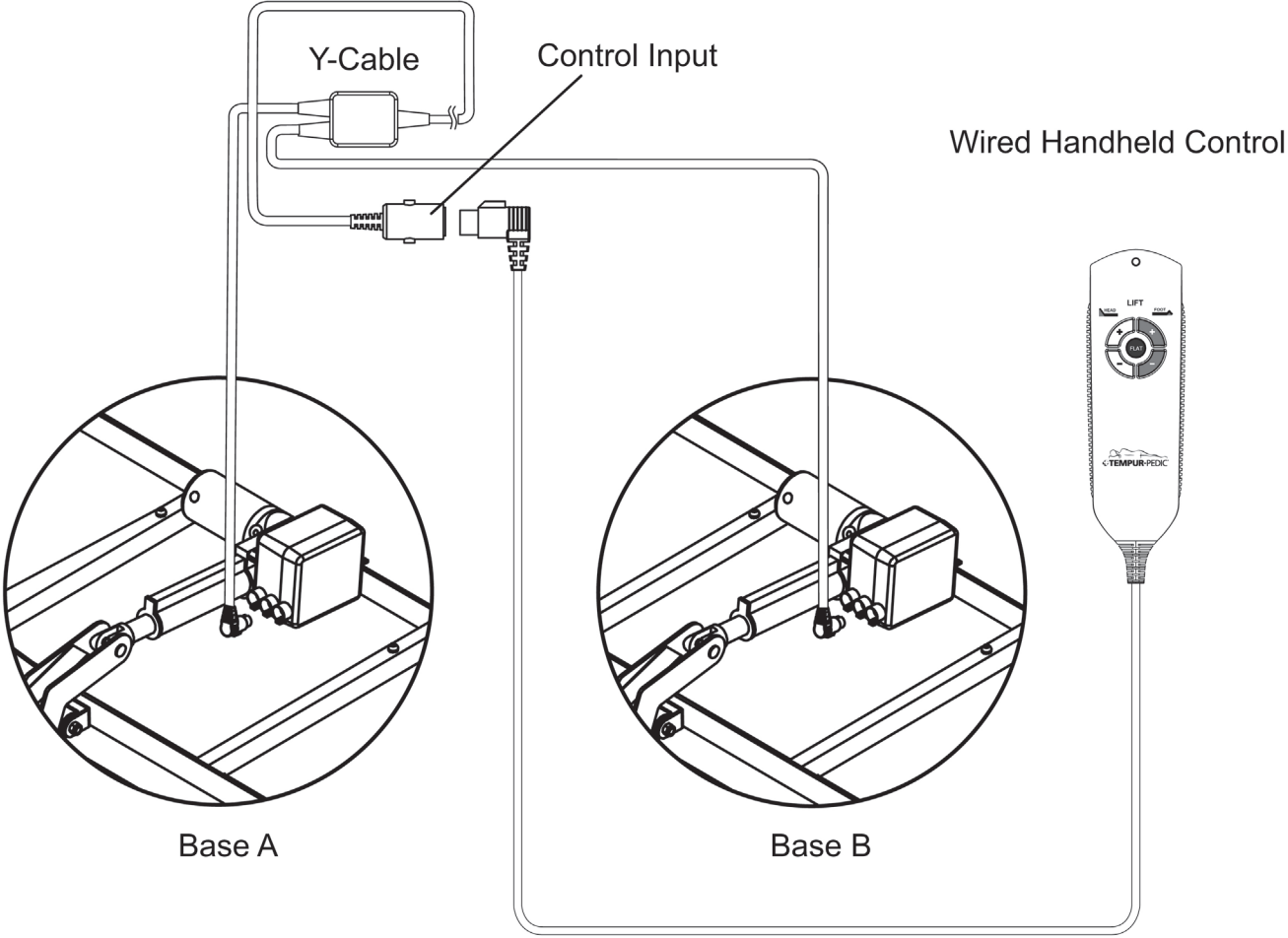
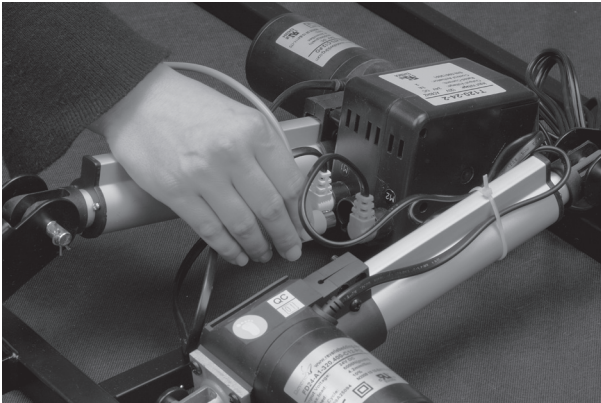
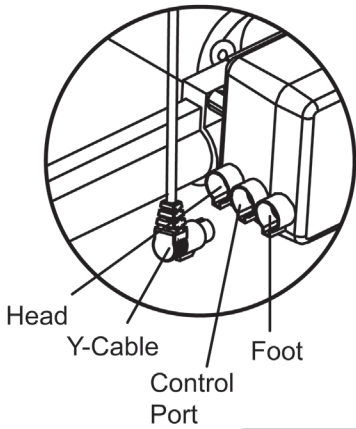
STEP 1

Place two (2) new alkaline 9-volt batteries into the Control Box.

STEP 2

Press the "FLAT" Button on the wired remote control until the base fully lowers to the flat position.

NOTE: Lowering the Ergo System Base using this method is slower than the standard process.

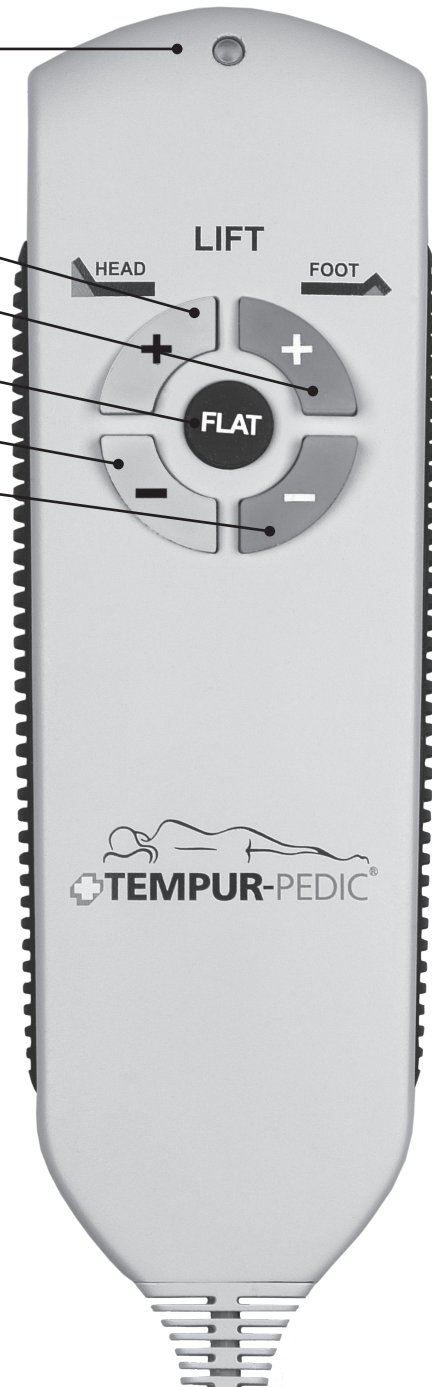


Wired Remote Control Features

READ ADVISORY INFORMATION IN THE SAFETY PRECAUTIONS SECTION OF THIS GUIDE CAREFULLY BEFORE USING THIS PRODUCT. THE POTENTIAL FOR ELECTRIC SHOCK EXISTS IF ELECTRICAL COMPONENTS ARE NOT INSTALLED OR OPERATED PROPERLY.

LED SIGNATURE LIGHT

- A. RAISE (+) HEAD SECTION OF THE BASE
- B. RAISE (+) FOOT SECTION OF THE BASE
- C. RETURN ALL SECTIONS TO THE FLAT POSITION
- D. LOWER (-) HEAD SECTION OF THE BASE
- E. LOWER (-) FOOT SECTION OF THE BASE



Operating Instructions

HEAD AND FOOT ADJUSTMENTS (A, B, D, E)

- Adjusts the Head and Foot sections to the desired positions. Press until the red LED Signature Light illuminates and desired position is achieved.

BED "FLAT" BUTTON (C)

- To level the Ergo System to the Flat position, press until the red LED Signature Light illuminates and the bed reaches the flat position.

NOTE: An unintentional touch to any button that does not illuminate the red LED Signature Light on the wired remote control will cause the keys to light up without performing the associated function. Press the appropriate wired remote control button until the red LED Signature Light illuminates to activate the desired function. This feature was installed to prevent any undesired movement should the wired remote control be dropped, etc.

Troubleshooting

In the event that your TEMPUR® Ergo System™ fails to operate properly, investigate the symptoms and possible solutions provided in the chart below:

SYMPTOM	SOLUTION
<p>Hand control LED will not illuminate or LED illuminates and appears to be operable but will not activate the bed.</p>	<ul style="list-style-type: none"> • Verify that the power cord is plugged into a working, grounded electrical outlet. <i>A grounded, electrical surge protection device is recommended.</i> Test the outlet by plugging in another working appliance. • Verify that the wired remote control wire is securely plugged into the wired remote control port located in the control unit on bottom of bed or Y-Cable .
<p>No features of the TEMPUR Ergo System will activate.</p>	<ul style="list-style-type: none"> • Unplug the power cord, wait 45 seconds and plug it in to reset the electronic components. • The electrical circuit breaker may be tripped. Check the electrical service breaker box to verify. • The surge protection device or electrical outlet is defective. Test the outlet by plugging in another working appliance. • If bed has been paired, confirm that all cables are properly connected, especially the Y-Cable line that plugs into the beds control port.
<p>Head and/or Foot section will elevate but will not return to the horizontal (flat) position.</p>	<ul style="list-style-type: none"> • The Ergo System may be obstructed. Elevate and check for an obstruction. Remove the obstruction. • The head section may be too close to the wall. • The headboard may be too close the edge of the mattress. Verify that a 1.5" (38.1mm) to 2" (50.8mm) distance is between the headboard brackets and the mattress. Adjust if required.

FOR TECHNICAL SUPPORT OR SERVICE,
PLEASE CHOOSE FROM THE FOLLOWING NUMBERS:

QUESTIONS ABOUT YOUR ERGO SYSTEM BASE:

1-800-979-1457

QUESTIONS ABOUT YOUR TEMPUR-PEDIC MATTRESS
OR TO ORDER ERGO SYSTEM ACCESSORIES:

1-800-821-6621

OR VISIT WWW.TEMPURPEDIC.COM

